



Spitfire Mk.I seatbelts FABRIC

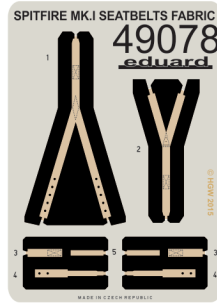
eduard

49 078

1/48 scale detail set for Airfix A05126 kit • sada detailů pro model Airfix A05126 1/48

**PE -
PHOTOETCHED
PART**

**TP -
TEXTILE
PART**



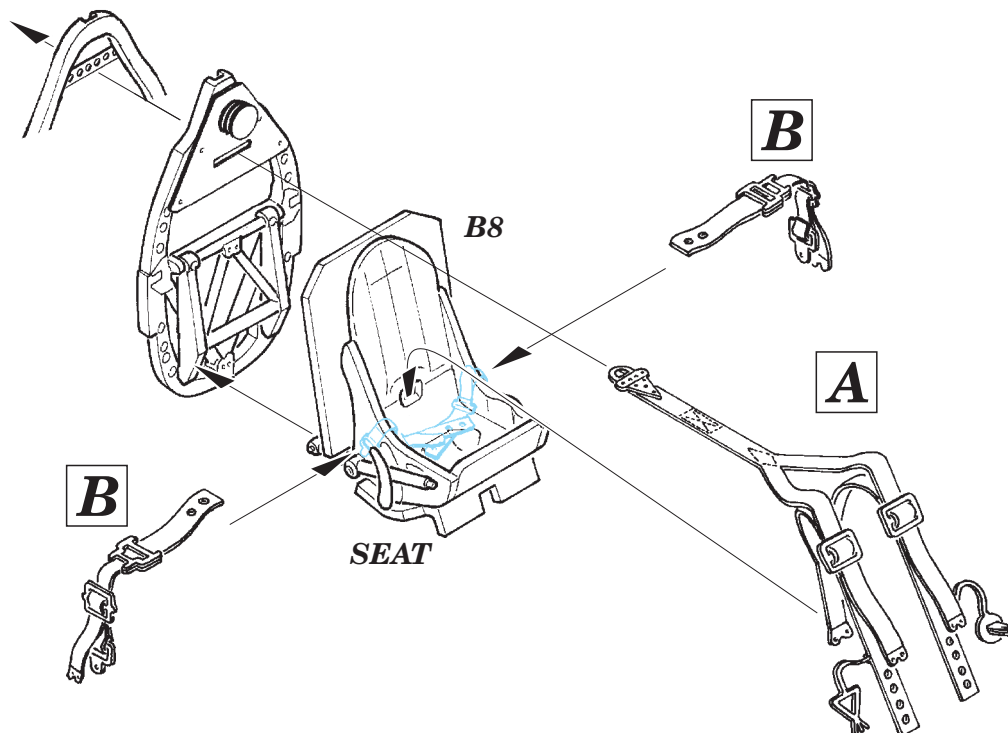
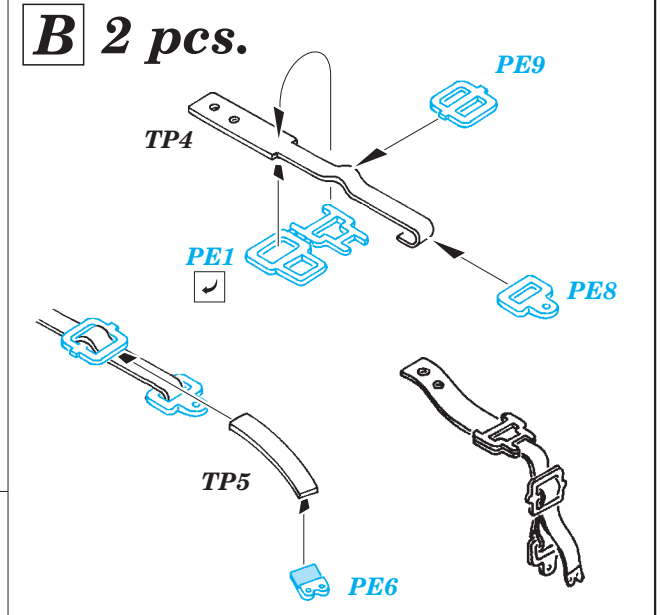
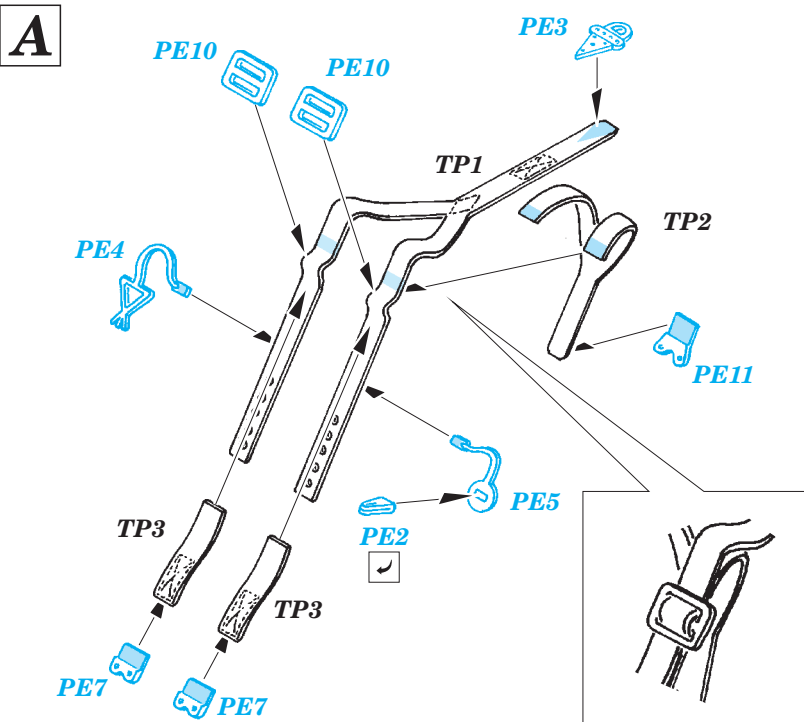
- APPLY EXPRESS MASK AND PAINT BEFORE GLUING
POUŽIT EXPRESS MASK NABARVIT PŘED SLEPENÍM
- SYMMETRICAL ASSEMBLY
SYMETRICKÁ MONTÁŽ
- REMOVE
ODSTRANIT
- GRIND
OBROUSIT
- DRILL HOLE
VRTAT OTVOR
- COLORED ETCHED PARTS
LEPTANÉ BAREVNÉ DÍLY
- BEND
OHNOUT
- OPTION
VOLBA
- REPLACE
NAHRADIT

ORIGINAL KIT PARTS
PŮVODNÍ DÍLY STAVEBNICE

PHOTO-ETCHED PARTS
LEPTANÉ DÍLY

PARTS TO BE REMOVED
DÍLY K ODSTRANĚNÍ

FILL
TMELIT



- 1. Take the precut textile part out of the sheet.**
- 2. Remove supporting paper.**
- 3. Crumple the belt into a little ball and nead it between the fingers.**
- 4. Thread the belts through the buckles - use superglue.**
- 5. Put the belts into the seat.**
- 6. Spray by the glossy varnish.**
- 7. Impregnate the belts with very diluted oil color (mix black and brown) - it will highlight the texture.**
- 8. Spray by matt varnish.**

After the varnish becomes dry it is possible to drybrush with light oil colour.